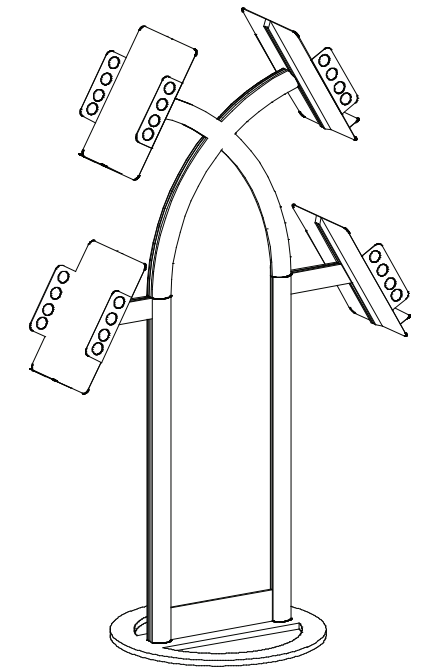
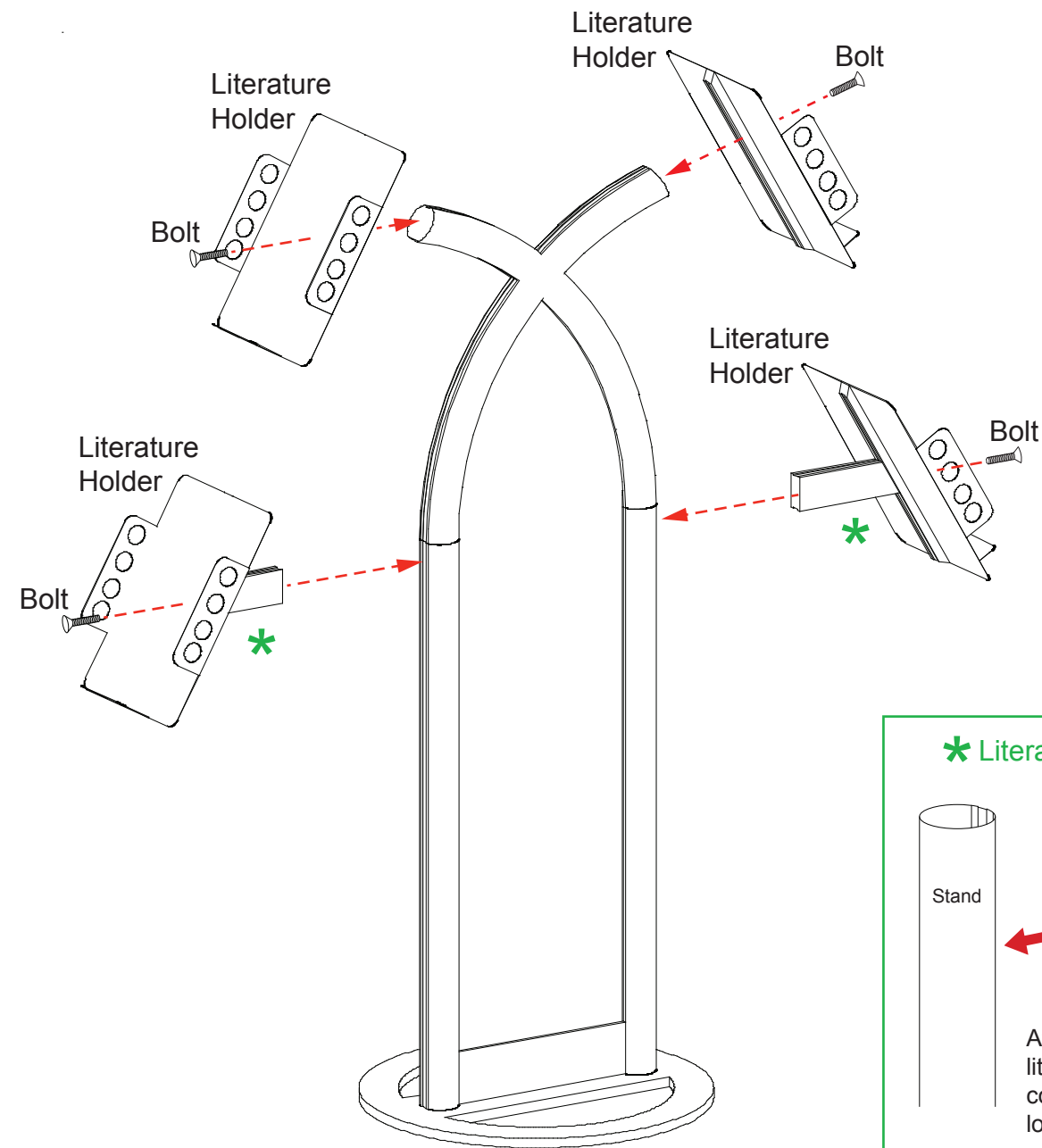
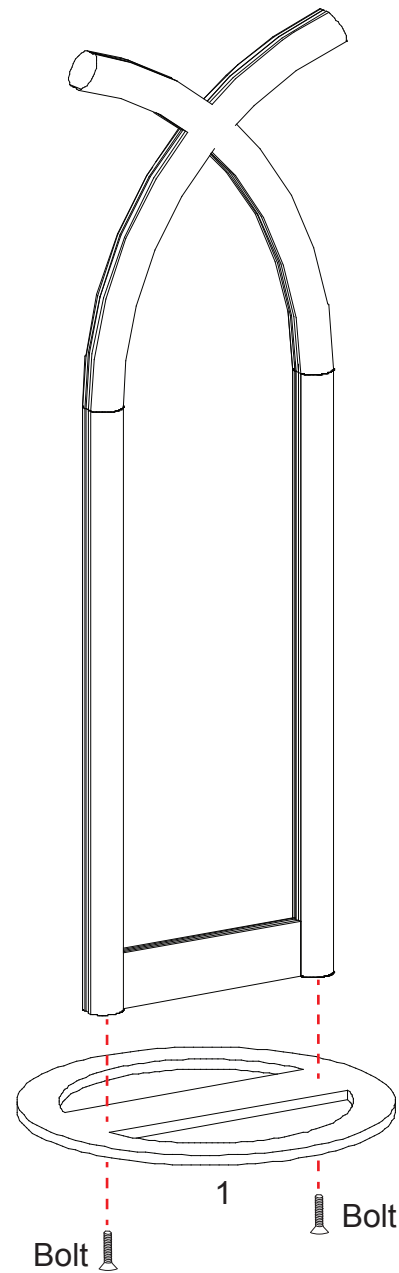
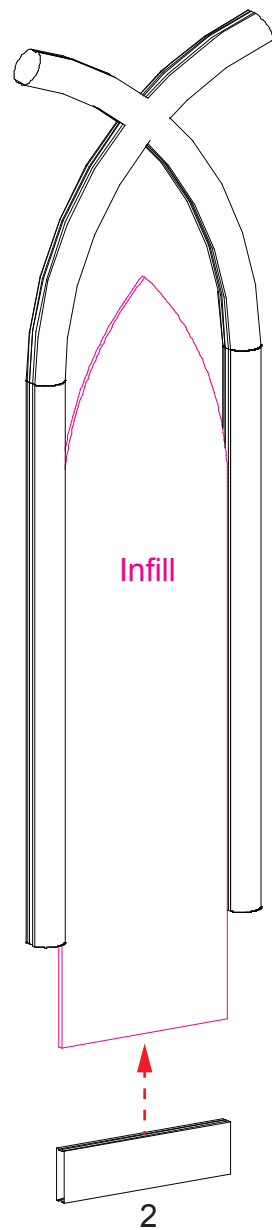


Steps:

- 1) Slide **Infill** between kiosk verticals as shown.
- 2) Attach horizontal [2] between kiosk verticals.
- 3) Attach base [1] to kiosk verticals, using bolts.
- 4) Attach two literature holders to kiosk verticals.  
See **Literature Holder Attachment** detail.
- 5) Attach two literature holders to kiosk ends, using bolts.



Completed Assembly

**\* Literature Holder Attachment**

A detailed diagram showing a "Stand" (vertical post) and a "Literature Holder". A "Connector" with "Locks" is shown being attached to both. Red arrows indicate the direction of attachment.

Attach angled end of connector to literature holder. Attach flat end of connector to stand. Tighten locks to secure.

## General Setup Instructions

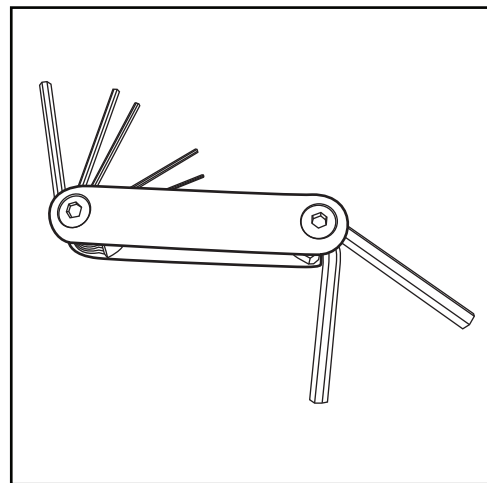
- Read entire setup instruction manual prior to unpacking parts and pieces.
- The setup instructions are created specifically for this configuration.
- Setup instructions are laid out sequentially in steps, including exploded views with detailed explanation for assembly.

## Cleaning & Packing

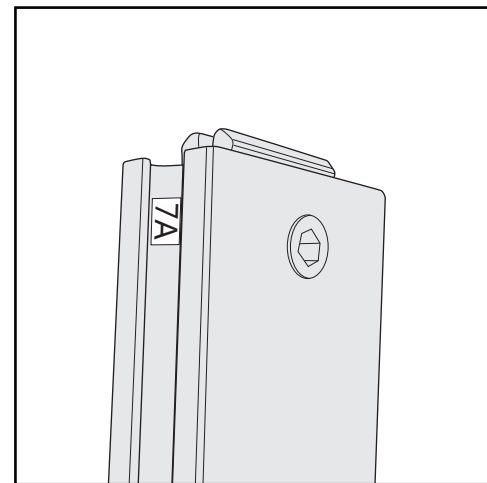
- For Cleaning Metal, Plex, & Laminate Parts: Use a **MILD NON-ABRASIVE** cleanser and soft cloth/paper towel to clean all surfaces.
- Keep exhibit components away from heat and prolonged sun exposure. **Heat and UV exposure will warp and fade components.**
- Retain all provided Packing Materials. All provided packing materials are for ease of repacking & component protection.

## Disassembly

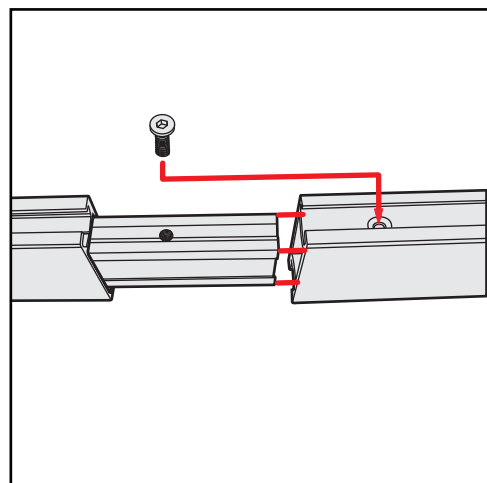
- For loss prevention, tighten all setscrews and locks during disassembly



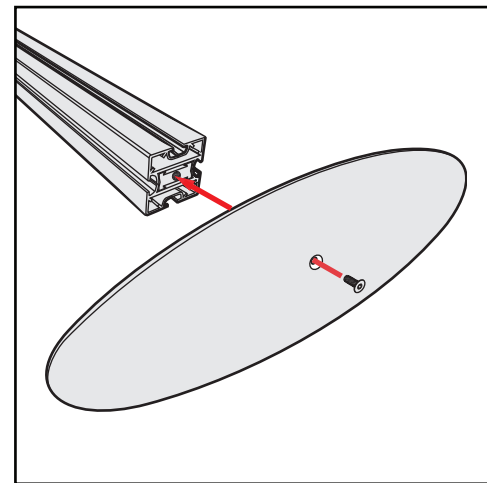
Hex Tool - Essential for Assembly



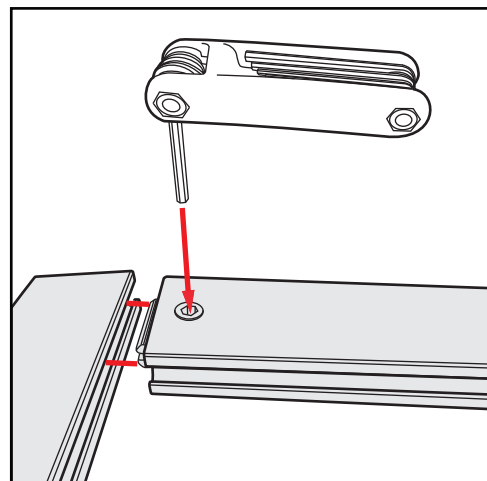
Part Identification - Numbering



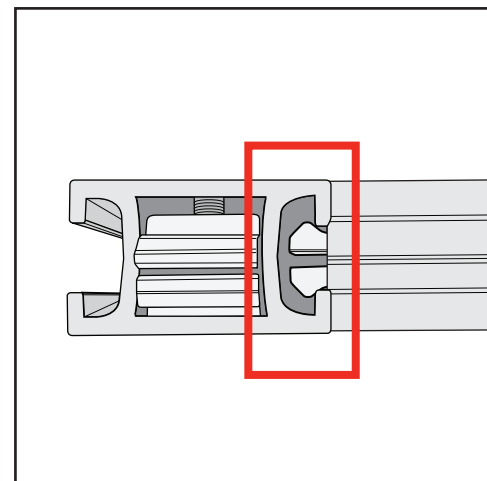
Spline Connection



Base Plate & Extrusion Connection



Extrusion & Lock Connection



Engaged Lock



**WARNING**



DO NOT USE POWER TOOLS

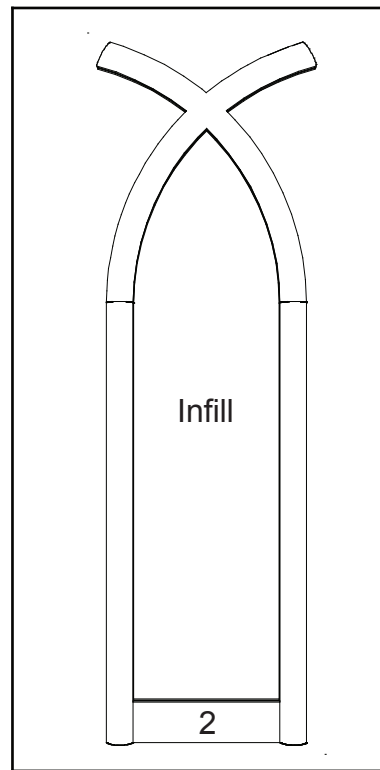


LADDERS OR LIFTS  
MAY BE REQUIRED

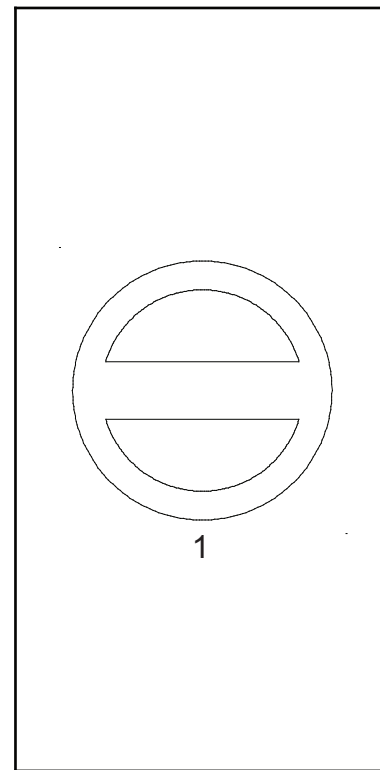


ALL CONNECTIONS MUST  
BE TIGHTLY SECURED

### Top View of Each Level



Level 1



Level 2

Setup Hardware

Literature Holders